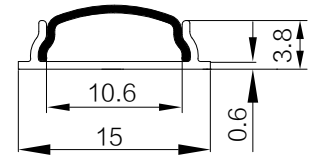
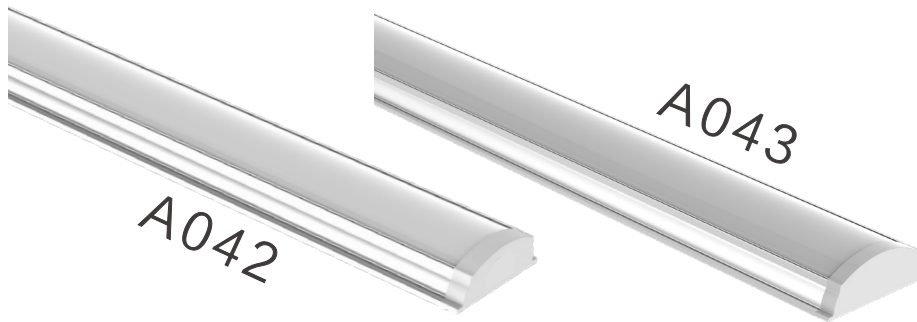
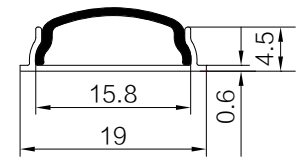


Color 

Unit: mm



A042

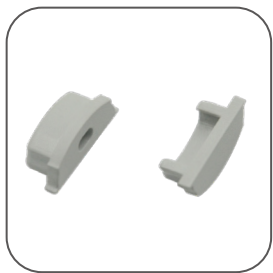


A043

Features:

1. Model: HL-A042 / A043
2. Material: AL6063+PC
3. Surface: Anodized/Painting
4. Lighting source width: A042 10mm / A043 15mm.
5. Length: 4m/max
6. Application: The extrusion with LED light source is mostly used as interior lighting, curved lighting.

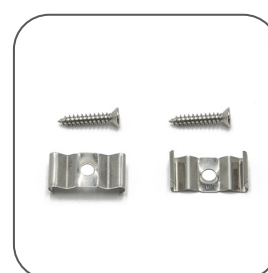
Accessory:



End Cap



Aluminum Profile

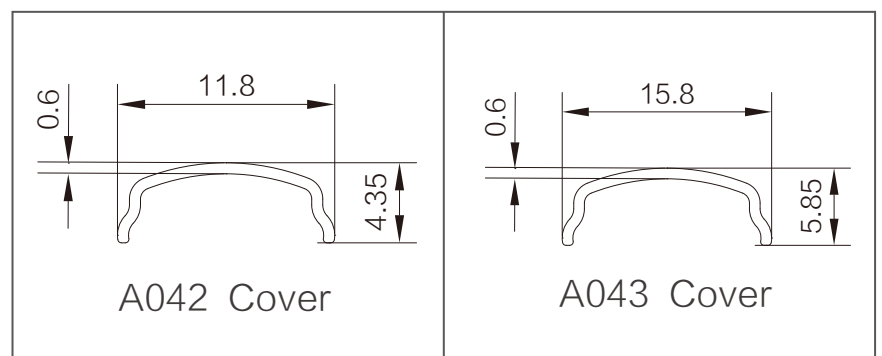
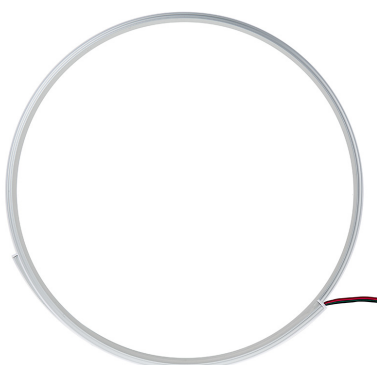


Buckle



Bending Degree

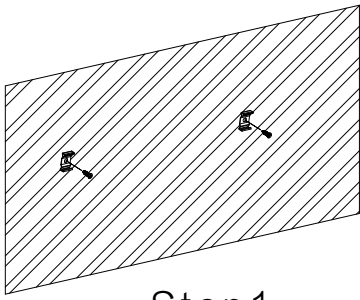
Cover:



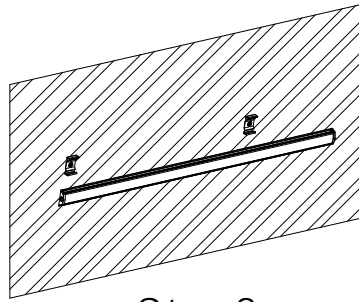
A042 Cover

A043 Cover

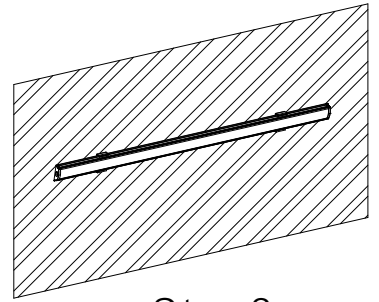
Installation:



Step1



Step2



Step3

Application:



Shine



Bend and shine



Round table



Free style